



# Gunnison™

## 33-1/2" undermount single-bowl kitchen sink

### 34287

#### Features

- 36" minimum base cabinet width
- Single bowl
- 9-1/2" (241 mm) depth provides generous workspace
- Offset drain increases workspace in the sink and storage space underneath
- Matte finish offers rich, dimensional color
- Includes installation hardware

#### Material

- Composite material is durable and built to withstand day-to-day cleaning tasks
- Solid color throughout the sink
- Heat-resistant up to 750°F
- Scratch-, stain-, chip-, and thermal-shock-resistant

#### Installation

- Undermount

#### Required Products/Accessories

[K-11352](#) Disposal Flange with Stopper

or

[K-8801](#) Sink drain and strainer with tailpiece

or

[K-8799](#) Sink drain and strainer basket

#### Recommended Products/Accessories

K-23730 Neoroc® cleaner

K-23726 Drain treatment

K-5192 Small stainless steel sink rack for K-8206

K-5196 Sink Rack

#### Optional Products/Accessories

K-9000 P-Trap



#### Codes/Standards

CSA B45.5/IAPMO Z124




IAPMO Certification

#### STERLING® Vikrell® or Acrylic Kitchen and Utility Sinks Lifetime Limited Warranty

See website for detailed warranty information.

#### Available Colors/Finishes

*Color tiles intended for reference only.*

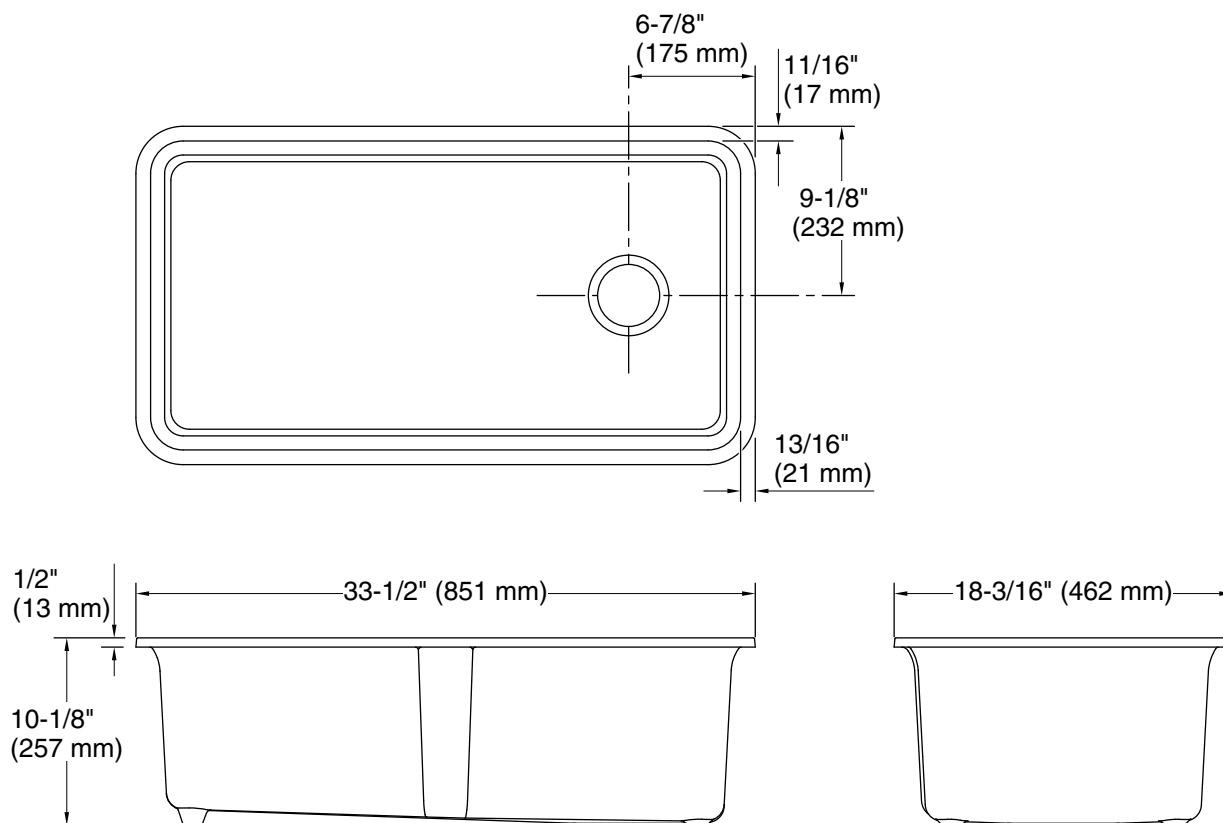
Color	Code	Description
	CM6	Matte White
	CM4	Matte Grey
	CM1	Matte Black

1-800-STERLING (1-800-783-7546)

Kohler Co. reserves the right to make revisions without notice to product specifications.

For the most current Specification Sheet, go to [www.sterlingplumbing.com](http://www.sterlingplumbing.com).

11-2-2024 00:51 - US/CA



**Technical Information**

All product dimensions are nominal.

Basin configuration: Single Bowl

Min. base cabinet width: 36" (914 mm)

Bowl area (Basin #1):  
 Length: 30-9/16" (777 mm)  
 Width: 15-3/8" (391 mm)  
 Bowl depth: 9-1/2" (241 mm)  
 Water depth: 9-1/2" (241 mm)

Drain hole: 3-7/8" (98 mm)

Template: Undermount, 1583721-7, required, not included

**Notes**

Install this product according to the installation instructions.